

# RS-MB2 Bracket for Expansion Vessels up to 18 litres



In this procedure document we have endeavoured to make the information as accurate as possible.  
We cannot accept any responsibility should it be found that in any respect the information is inaccurate or incomplete or becomes so as a result of further developments or otherwise.

Altecnic Ltd Mustang Drive, Stafford, Staffordshire ST16 1GW  
T: +44 (0)1785 218200 E: sales@altecnic.co.uk  
Registered in England No: 2095101

altecnic.co.uk  
IOM 098 27-09-17  
E & O.E  
© Altecnic Limited. 2017  
ALTECNIC™

**altecnic**  
Caleffi group

**altecnic**  
Caleffi group

## Introduction

The RS-MB2 expansion vessel bracket is suitable for vertical vessels up to and including 18 litres and provides safe and secure mounting for the vessel.

**WARNING:** *Expansion vessels should never be left un-supported on the pipework.*

Before commencing please ensure that the wall or mounting surface is structurally suitable for mounting the vessel and supporting the weight.

The weight of the vessel should include the weight of water when full.

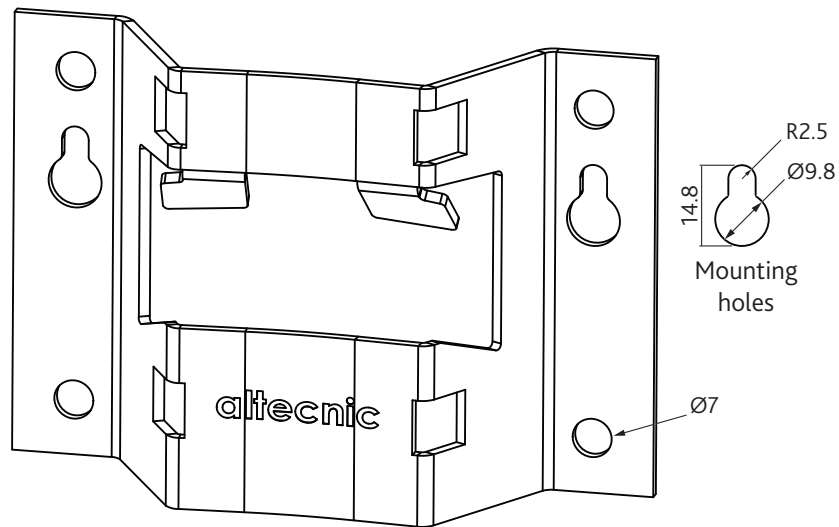
The RS-MB2 bracket, with one retaining band, has been designed to safely secure vessels up to and including 18 litres when full of water.

## Mounting the Bracket

Using the wall bracket mark the position for the elongated fixing holes as shown ensuring that the wall bracket will be horizontal and the vessel vertical.

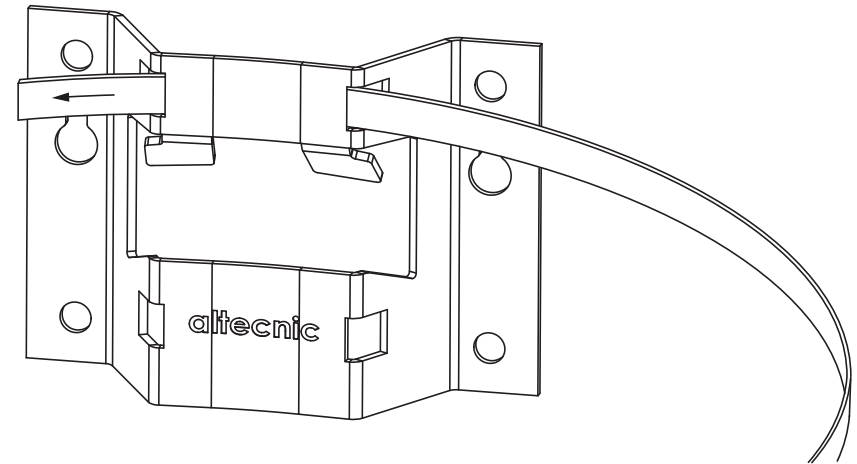
Using suitably sized screws (not supplied) fix the bracket to the wall or mounting surface.

A minimum of two suitably sized screws should be used although addition screws may be used if required.



## Securing Bands

Thread the securing band through the designated hole as shown.



Link the band together by passing through the connector.

Position the crimped joint or welded seam in the recess of the bracket below the securing band.

Tighten the band using a suitably sized screw driver or spanner until the vessel is held secure.

Do not rely upon the pipe work to hold the vessel especially when filled with water.

Check that the bracket and vessel are held secure before connecting the vessel to water system.

